

SCHROEFKRONEN



A16

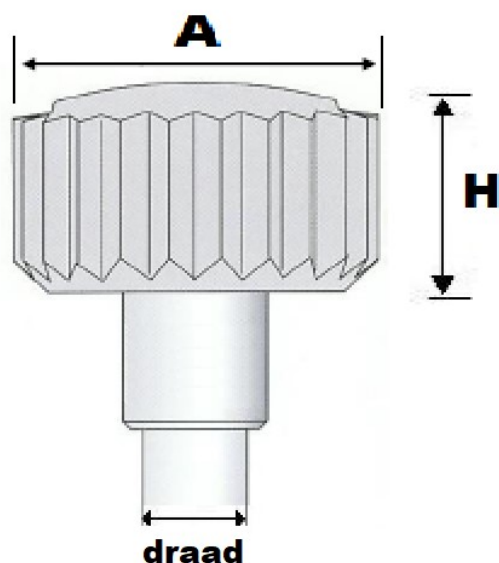
Let op in vele hoogtes!



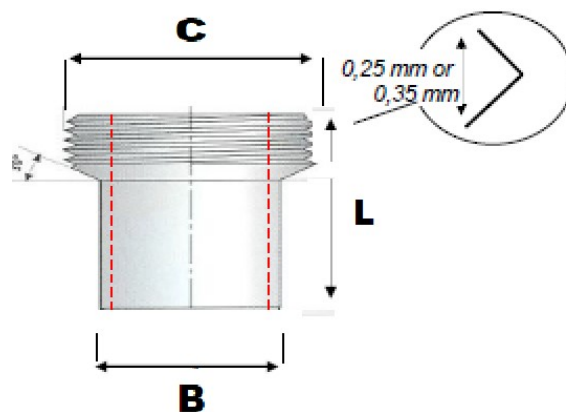
RX



BRET



PERS TUBE



Nr.	TYPE vorm	A KROON Ø / DRAAD	H Hoogte kroon	B persmaat tube Ø (boring kast)	C uitwendige schroefdraad op tube Ø	L Totale Lengte tube	kleur
1. MSA 60.830	A6/A16	3.50/0.90	2.50	1.90	3.0 x 0.25	div.	goldplated geel
2. MSA 60.930	A6/A16		2.50	1.90	3.0 x 0.25	div.	palladium
3. B392.30.090	A6/A16		2.75	1.90	3.0 x 0.25	div.	palladium
4. B90.30.090	A6/A16		2.75	1.90	3.0 x 0.25	div.	goldcap geel
5. (91.20.090)=B6803	A6/A16		2.50	2.00	3.0 x 0.25	div.	inox
6. B392.30.090	A6/A16	3.75/0.90	2.75	1.90	3.0 x 0.25	div.	palladium
7. B90.30.090	A6/A16		2.75	1.90	3.0 x 0.25	div.	goldcap geel
8. (91.20.090)=B6803 -1	A6/A16		2.50	2.00	3.0 x 0.25	div.	Inox
9. B90.30.090	A6/A16	4.00/0.90	2.50	1.90	3.0 x 0.25	div.	goldcap geel
10. B91.20.090 =B6803-2	A6/A16		2.50	2.00	3.0 x 0.25	div.	palladium
11. MSA 60.802 =B6803-2	A6/A16		2.50	2.00	3.0 x 0.25	div.	goldcap geel
12. B392.30.90	A6/A16		2.75	2.00	3.0 x 0.25	div.	inox
13. B91.20.090 =B6803-3	A6/A16	4.50/0.90	2.75	2.00	3.0 x 0.25	div	Inox
14. Berg6803-D3	A6/A16		2.75	2.00	3.0 x 0.25	div	goldcap geel
15. B91.05.090	A6/A16		3.80	2.00	3.0 x 0.25	6.4	inox
16. B91.26.090	A6/A16		3.80	2.20	3.0 x 0.25	6.4	inox
17. B91.06.090	A6/A16		3.80	2.20	3.0 x 0.25	6.4	goldcap geel
18. B392.20.090	A6/A16		2.75	2.50	3.5 x 0.25	3.7	palladium
67. MSA 60.825	RX	4.75/0.90	2.75	2.50	3.5 x 0.25	3.8	goldcap geel

Nr.	TYPE vorm	KROON Ø / DRAAD	Hoogte kroon	persmaat tube Ø (boring kast)	uitwendige schroefdraad op tube Ø	Totale Lengte tube	kleur
19. (91.20.090) =B6803-4	A6/A16	5.00/0.90	2.75	2.00	3.0 x 0.25	div	Inox
20. Berg6803-D4	A6/A16		2.75	2.00	3.0 x 0.25	div	goldcap geel
21. B491.02.090	A6/A16		3.80	2.00	3.0 x 0.25	6.4	goldplated geel
22. B91.26.090	A6/A16		3.80	2.20	3.0 x 0.25	6.4	inox
23. B91.06.090	A6/A16		3.80	2.20	3.0 x 0.25	6.4	goldcap geel
24. B92.20.090	A6/A16		2.75	2.50	3.5 x 0.25	3.7	inox
25. B92.22.090	A6/A16		3.80	2.50	3.5 x 0.25	3.7	inox
26. B91.26.090	A6/A16	5.25/0.90	3.80	2.20	3.0 x 0.25	6.4	inox
27. B91.06.090	A6/A16		3.80	2.20	3.0 x 0.25	6.4	goldcap
28. MSA60.915	A16		3.10	2.80	4.0 x 0.25	5.6	inox
72. B100.23.090	A16		3.80	2.80	4.0 x 0.35	4.0	inox
29. B118.20.090	BRET		4.00	2.80	4.0 x 0.35	4.0	inox
66. B100.03.090	A6/A16		3.80	2.50	4.0 x 0.35	4.0	goldplated geel
68. TAGH	TH		4.00	2.80			titanium
30. (91.20.090)=B6803	A6/A16	5.50/0.90	2.75	2.00	3.0 x 0.25	div	Inox
31. Berg6803-D5	A6/A16		2.75	2.00	3.0 x 0.25	div	goldcap geel
32. B491.02.090	A6/A16		3.80	2.00	3.0 x 0.25	6.4	goldplated geel
33. B91.26.090	A6/A16		3.80	2.20	3.0 x 0.25	6.4	inox
34. B91.06.090	A6/A16		3.80	2.20	3.0 x 0.25	6.4	goldcap geel
35. B92.20.090	A6/A16		2.75	2.50	3.5 x 0.25	3.7	inox
36. B92.22.090	A6/A16		3.80	2.50	3.5 x 0.25	3.7	inox
37. B392.20.090	A6/A16		2.75	2.50	3.0 x 0.25	3.7	palladium
63. MSA 60.012	A6/A16		3.70	2.50	inwendig	5.9	goldcap geel
65. B91.20.090	A6/A16	6.00/0.90	2.80	2.00	3.0 x 0.25	6.6	inox
38. B491.02.090	A6/A16		3.80	2.00	3.0 x 0.25	3.0	goldplated geel
39. B91.26.090	A6/A16		3.80	2.20	3.0 x 0.25	6.4	inox
40. B91.06.090	A6/A16		3.80	2.20	3.0 x 0.25	6.4	inox
41. MSA 60.009	A6/A16		4.00	2.20	3.0 x 0.25	3.6	goldplated geel
42. 3.CAV 20ATU			4.50	2.20	inwendig	5.8	goldcap geel
43. B92.20.090	A6/A16		2.75	2.50	3.5 x 0.25	3.7	inox
44. B92.22.090	A6/A16		3.80	2.50	3.5 x 0.25	3.7	inox
45. B392.22.090	A6/A16		3.80	2.50	3.5 x 0.25	3.7	palladium
69. B300.20.090	A16		3.80	2.50	4.0 x 0.35	4.2	inox
46. B100.22.090	A6/A16		3.80	2.70	4.0 x 0.35	4.4	inox
47. B104.22.090	A6/A16		3.80	2.70	4.5 x 0.35	4.4	inox
48. MSA 60.016	A6/A16		2.50	3.00	4.5 x 0.35	3.7	goldcap geel
70. B94.00.120	RX	6.00/1.20	3.00	2.50	4.0 x 0.35	4,1	goldplated geel
49. B91.20.090	A6/A16	6.30/0.90	2.75	2.00	3.0 x 0.25		inox
50. B94.01.090	A6/A16	6.50/0.90	3.00	2.70	4.0 x 0.35	4.40	goldplated geel
51. B96.01.090	A6/A16	6.50/0.90	3.00	2.70	4.0 x 0.35	4.40	inox
52. B91.20.090	A6/A16	7.00/0.90	2.75	2.00	3.0 x 0.25	4,2	Inox
53. B392.22.090	A6/A16		3.80	2.50	3.5 x 0.35	3.7	palladium
54. B398.00.090	A6/A16		4.50	2.50	3.5 x 0.35	4.6	inox
55. B100.22.090	A6/A16		3.80	2.70	4.0 x 0.35	6.8	inox
71. B106.01.090	RX		3.00	2.70	4.5 x 0.35	4.4	goldcap geel
56. B100.01.090	A6/A16		3.80	2.70	4.5 x 0.35	4.0	goldcap geel
57. B104.22.090	A6/A16		3.80	2.70	4.5 x 0.35	4.4	inox
58. B706.02.090	RX		4.00	2.70	4.5 x 0.35	4.4	goldcap geel
59. B110.01.090	RX		3.20	2.90	4.5 x 0.35	4.6	goldcap geel
60. B110.21.090	RX		3.20	2.90	4.5 x 0.35	4.6	inox
61. B398.00.090	A6/A16	8.00/0.90	4.50	2.50	4.0 x 0.35		inox
62. B106.22.090	RX		4.50	2.70	4.5 x 0.35	4.5	inox